

TH 5.8 P



MINING &
QUARRYING



CONSTRUCTION



LOGISTICS



TH
5.8 P



CAB

Best-in-class
safety and visibility



PERFORMANCE

Unrivalled lifting
performance

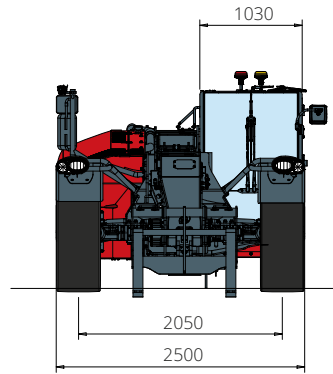


LOAD LIVE DIAGRAM

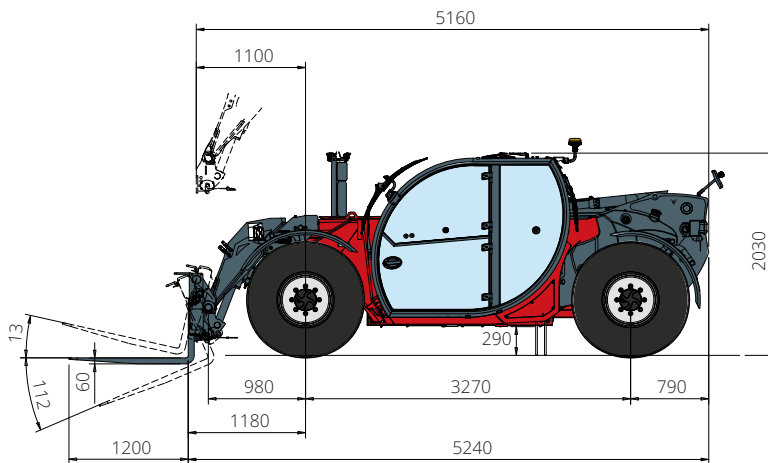
Two real-time dynamic
load charts

TH 5.8 P

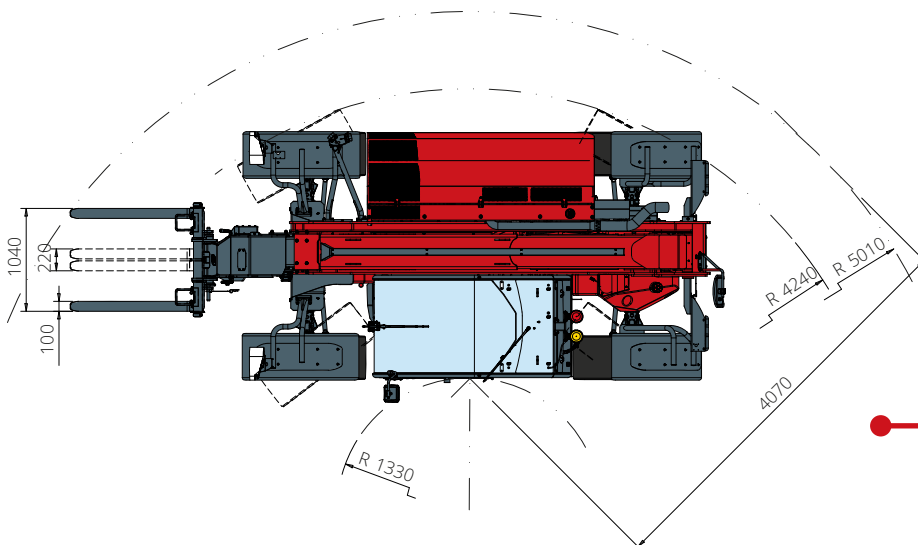
DIMENSIONS (mm)



FRONT
view

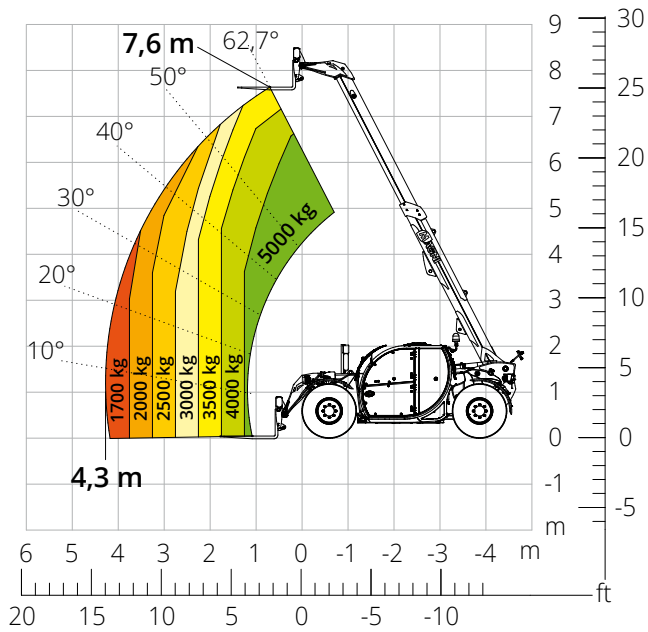


SIDE
view

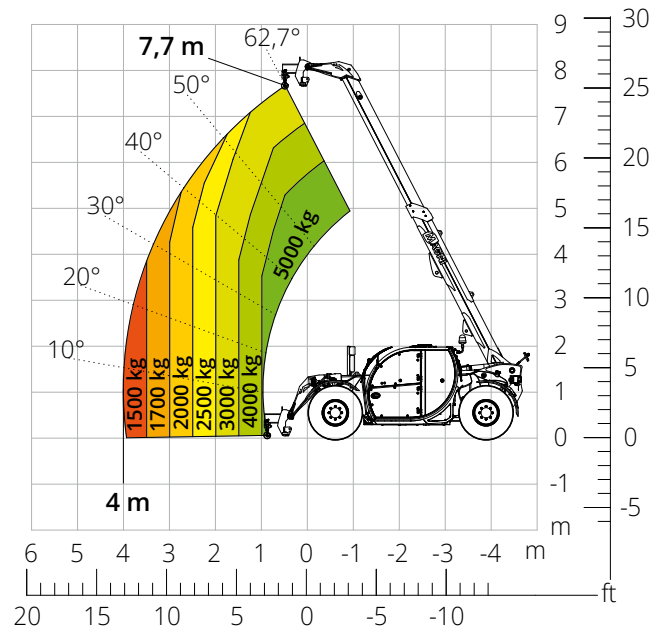


TOP
view

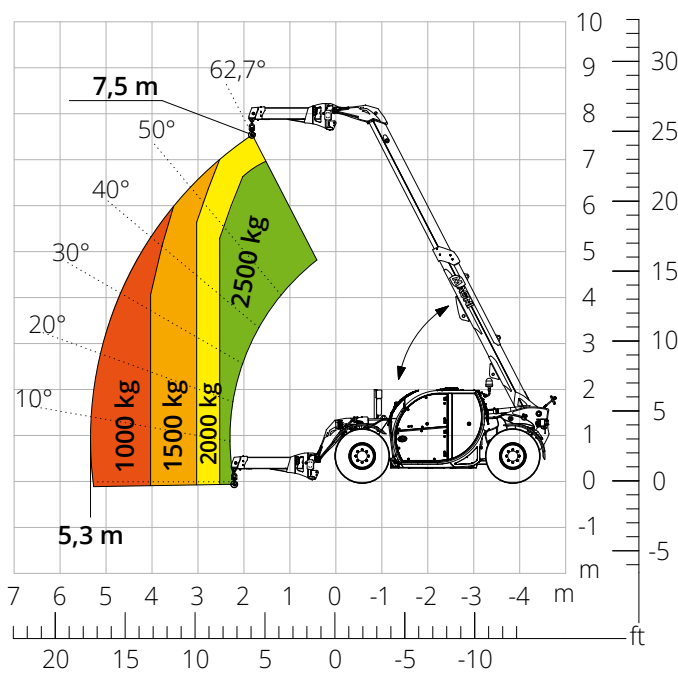
Load chart
FRONT ATTACHMENT ON TYRES
 ATT-03-039



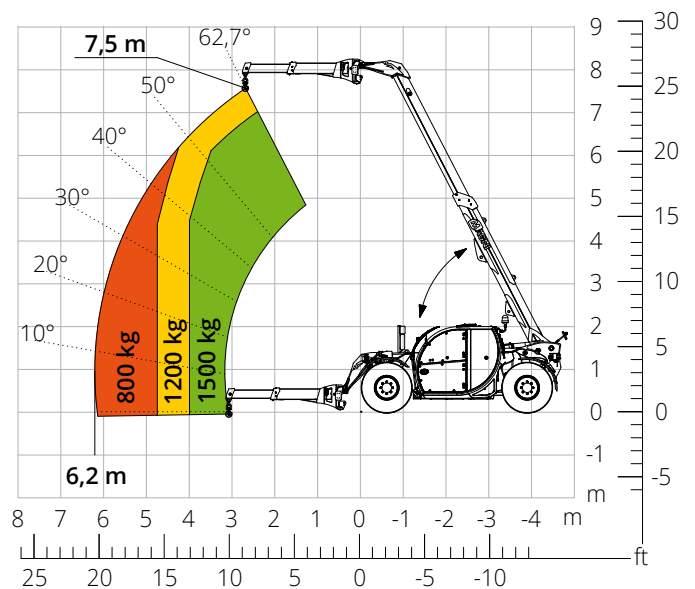
Load chart with
HOOK, 5,000 kg
 ATT-05-014



Load chart with
TELESCOPIC JIB, 2,500 kg - CLOSED
 ATT-04-021

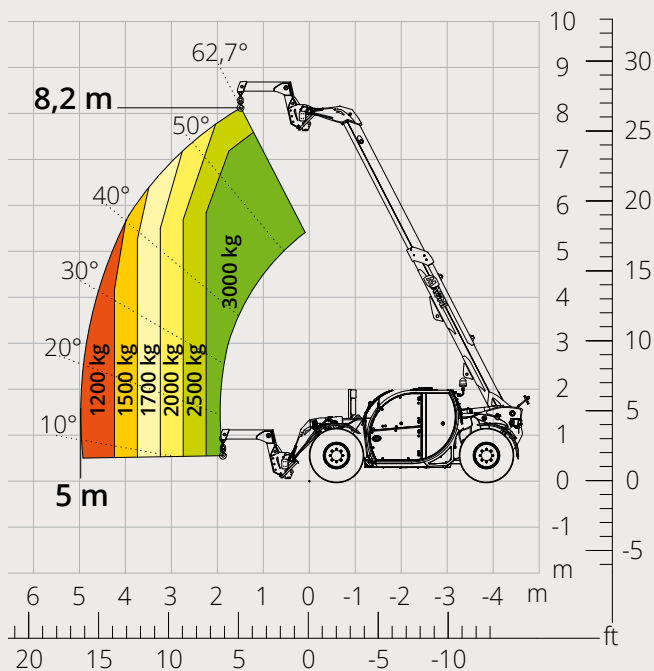


Load chart with
TELESCOPIC JIB, 2,500 kg - OPEN
 ATT-04-021



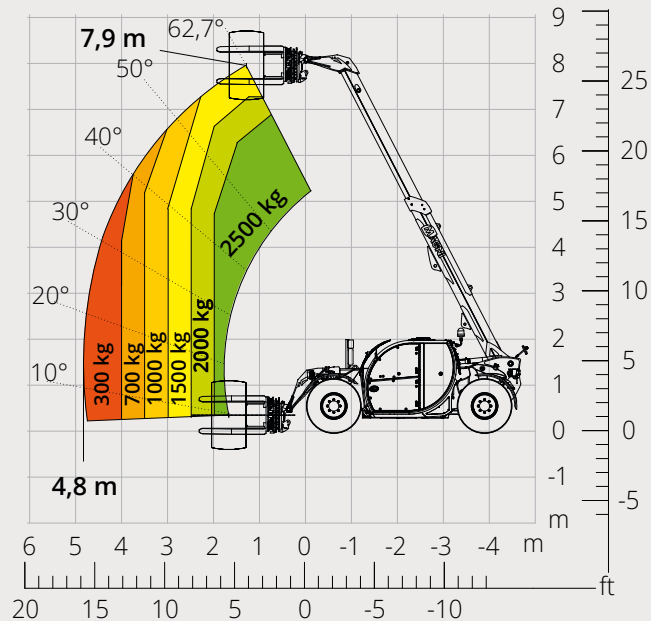
Load chart with
3,000 kg "SWAN NECK" JIB

ATT-04-023



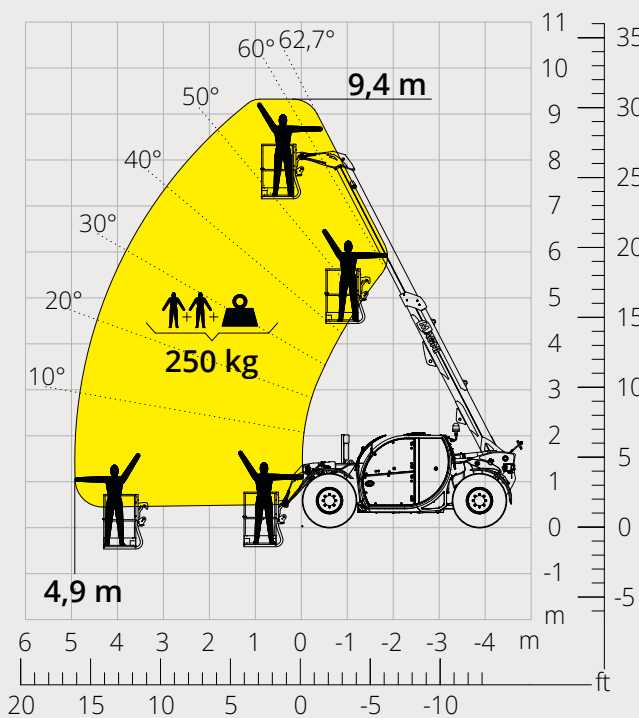
Load chart with
TYRE HANDLER, 2,500 kg

ATT-06-003



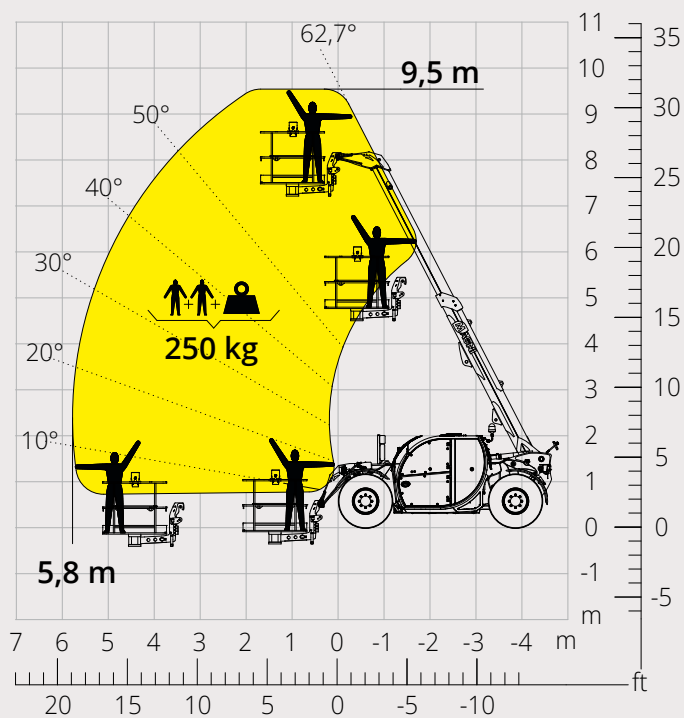
Load chart with
FIXED PLATFORM, 250 kg

ATT-01-001



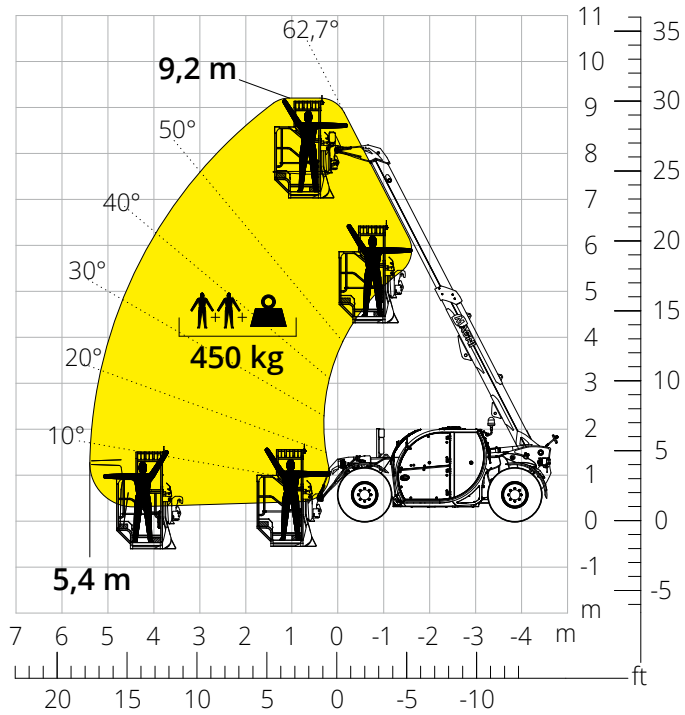
Load chart with
ROTATING EXTENDABLE PLATFORM, 250 kg

ATT-01-003



Load chart with
**PLATFORM, 450 kg,
FOR MINES**

ATT-01-027



Machine model	Telescopic handler	TH 5.8 P	
	Maximum lifting capacity	5,000 kg	
	Maximum lifting height	7.60 m	
	Maximum reach	4.30 m	
Stabilizer	Type	-	
Engine	Model	Deutz TCD 3,6 L4 EDG Stage IIIA	Deutz TCD 3,6 L4 Stage V
	Rated power	74.4 kW (101.2 hp) at 2,200 rpm	
	Maximum torque	410 Nm at 1,600 rpm	
	Displacement	3,6 l	
	Cylinders	4 in line	
	Engine configuration	Turbocharged direct injection diesel	
	Cooling system	Water – intercooler	
Transmission	Type	Hydrostatic	
	Maximum pressure	530 bar	
	Gear box	Dropbox, 2 speeds forward-reverse	
Axles and brakes	Type	Axles with planetary gearboxes	
	Front axle	Steering	
	Rear axle	Free oscillation	
	No. of driving/steering wheels	4WD - 4WS	
	Steering mode	Frontal/Concentric/Crab	
	Service brake	Wet multi-disk on front and rear axle	
	Parking brake	Hydraulic with negative action on front axle	
	Tyres dimensions	445/65 R22.5	
Performance	Max. travel speed	35 km/h	
	Gradeability (unladen)	53%	
	Turning radius (end of forks)	5,010 mm	
Weights	Total unladen*	8,000 kg	
	Front axle unladen (boom retracted and lowered)*	4,200 kg	
	Rear axle unladen (boom retracted and lowered)*	4,800 kg	
Tank and system capacities	Fuel tank	150 l	
	AdBlue	10 l	
	Hydraulic oil tank	93 l	
	Engine oil tank	9 l	
	Cooling liquid	20 l	
Hydraulic circuit for movements	Circuit type	Load sensing	
	Service pump	Variable displacement	
	Max. hydraulic flow rate	90 l/min	
	Max. boom head flow rate	75 l/min	
	Max. operating system pressure	225 bar	
	Controls for boom movements	SIL 2 electro-proportional valve	
	Movements control	1 joystick with integrated manoeuvre enable	
Standard met	2006/42/EC: EU Machinery Directive		
	2016/1628: EU Regulation on the emissions of stage V engines		
	EN 1459-X: Relating to standards on the safety requirements for variable reach machines		
	EN 280/EN 280-1/EN 280-2: standards relating to mobile elevating work platforms (if available)		
	ROPS/level 2 FOPS: relating to the standards for protective structures		

The data given in this brochure are provided for information purposes and are subject to change without prior notice.

All images are purely guideline and might not give an exact representation of the product.

**the stated weight refers to the vehicle unladen with standard equipment and may vary depending on the chosen configuration.*

The standard machine configuration includes:

CAB

- Comfort seat with adjustable headrest
- Adjustable steering column
- Analogue joypad
- Adjustable sunblind
- Heating
- Air conditioning
- FM/AM radio with USB and Bluetooth connectivity
- Ambient LED lights
- USB Type-A and Type-C (5 V) inputs

REAL TIME INFORMATION

- Touchscreen, 7"
- MCTS – Magni Combi Touch System on-board software
- Automatic RFID tools recognition system
- LMI – Load Moment Indicator
- LLD – Live Load Diagram
- Onboard and remote integrated diagnostics

TECHNICAL SPECIFICATIONS

- Q-Fit standard
- Advanced three-line CAN BUS system
- Automatic front and rear wheel alignment
- Automatic parking brake
- Mechanical battery cut-off in engine compartment
- Electrical system: 24 V – IP67

SERVICE

- Warranty: 24 months/2,000 hours